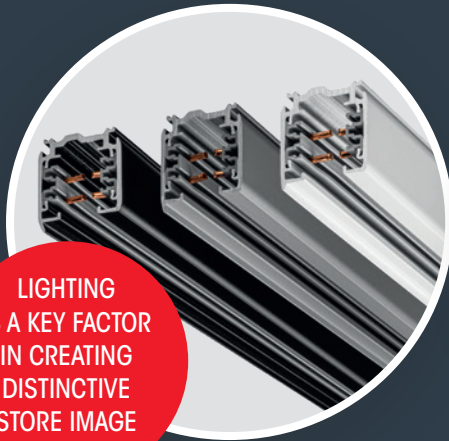


ENVIRONMENT IN MIND

GLOBAL trac®

PRO



LIGHTING
IS A KEY FACTOR
IN CREATING
DISTINCTIVE
STORE IMAGE



3 circuit/ PRO 3CCT



APPLICATION

- Public buildings (airports, cinemas, theaters, exhibition halls)
- Retail (supermarkets, shops)
 - Office
 - Residential



CC Wireless
– ON/OFF

- Quality in focus

PRO

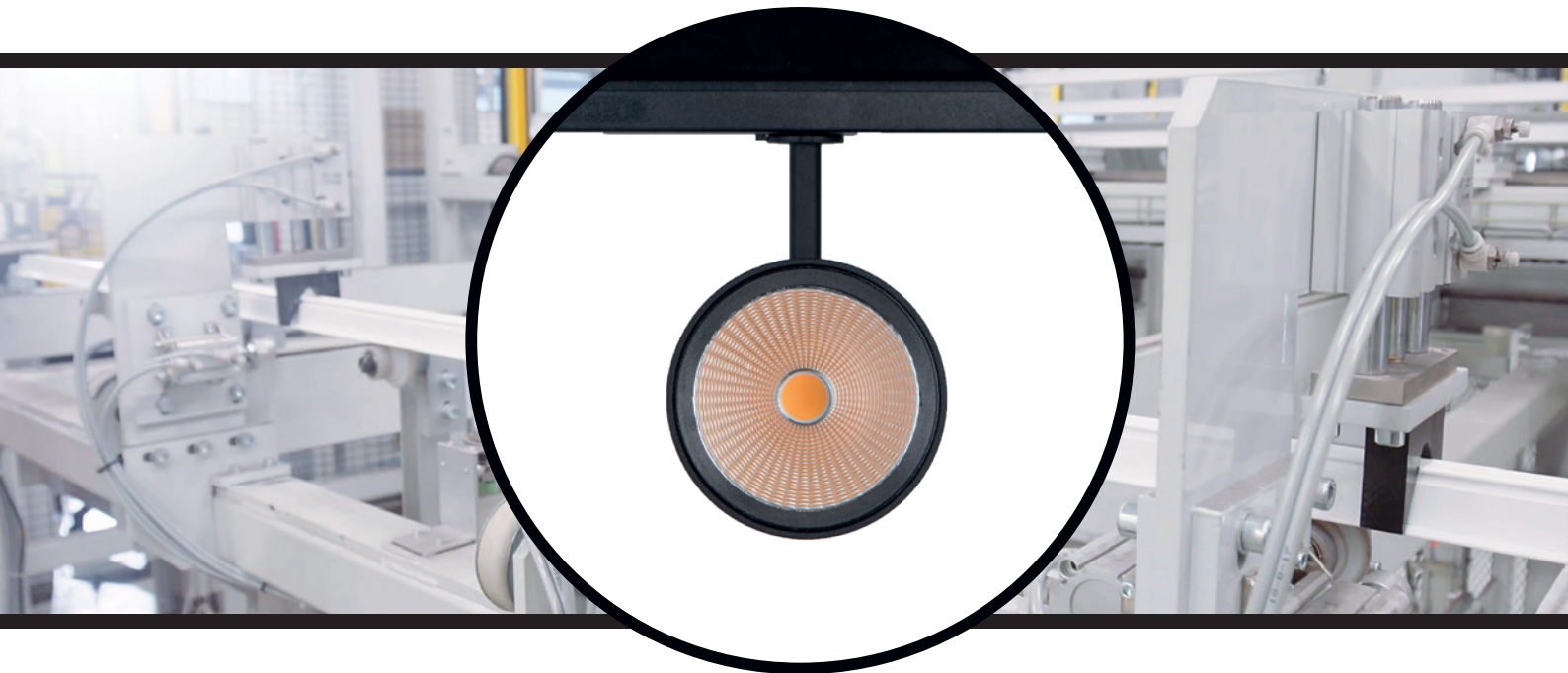
trac GLOBAL

ONE STOP SHOP.
EVERYTHING YOU
NEED FROM ONE
PLACE.

THE EASY WAY TO BUILD UP YOUR RETAIL LIGHTING

Our highly automated, state-of-the-art factories **in Finland** help us match customer demand at all times and guarantee, that we can manufacture and deliver a comprehensive portfolio of electrotechnical solutions quickly and cost-effectively.

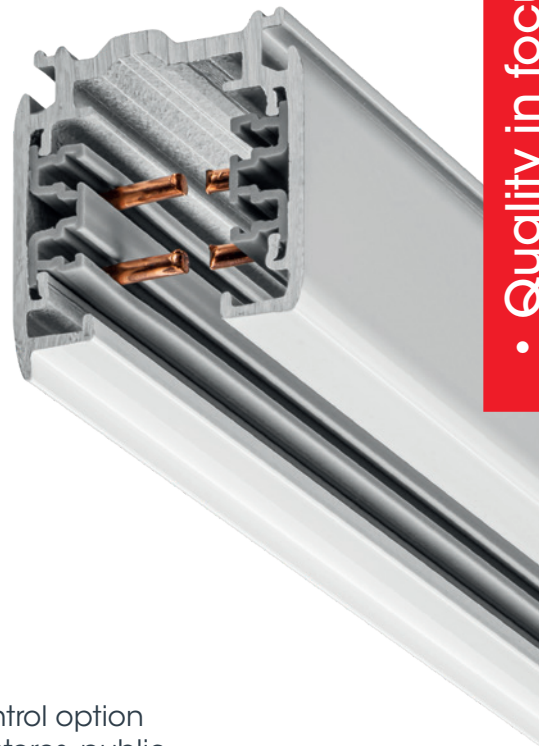
With capacity for lighting tracks exceeding 5 million meters annually, Nordic Aluminium today has a position as a globally leading manufacturer.



NORDIC  **ALUMINIUM**
● LIVAL GROUP

GLOBAL TRAC PRO

GLOBAL Trac Pro is the most sold three-circuit lighting track system in the world. It is the quality choice of professionals and lighting manufacturers. Long experience and 100% quality assurance ensure problem-free operation.

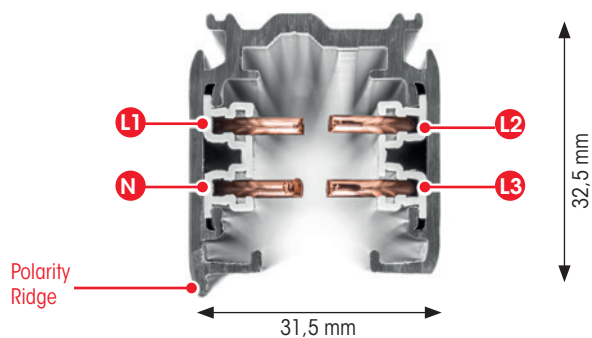


GLOBAL Trac Pro's **high load capacity** and circuit-specific control option can be used in various spaces, including shops, department stores, public buildings, restaurants, airports and offices.

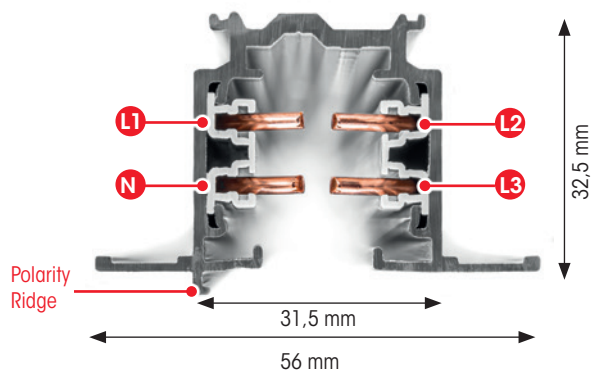
Easy to extend

The modular structure of the system makes it easy to extend and adapt to various needs. Modular dimensions help designers fit the system into the appropriate space and also make on-site mounting easier. **Reliable connectors ensure fast and easy installation** resulting in overall cost savings.

XTS Surface

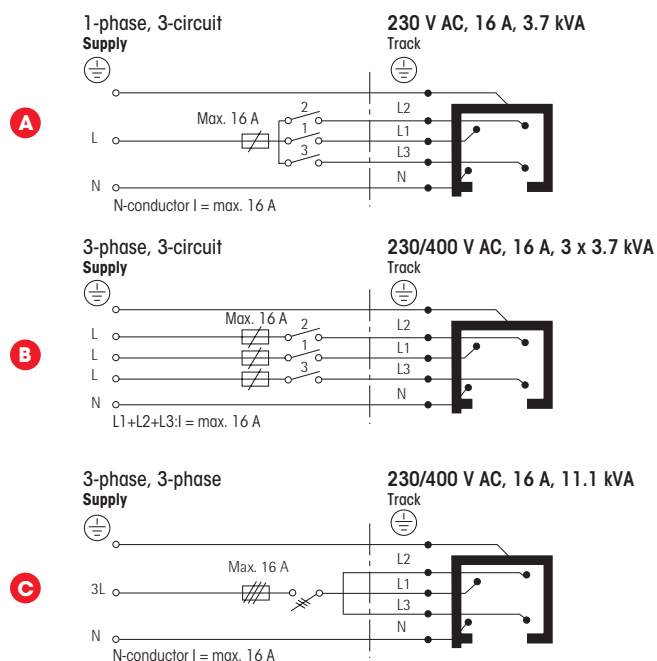


XTSF Recessed



GLOBAL Trac Pro

Power Conductor Cross-Section: 4,0mm²



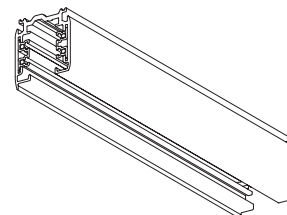
GLOBAL TRAC PRO

Available colours: -1 grey (RAL 7040), -2 black (RAL 9005), -3 white (RAL 9016).

Surface Mounted Tracks:

Purchase Code	Type	EAN code	Length (mm)	Colour	PCS/ Package
KKT301144	XTS 4100-1	6410014500566	1000	Grey	4/240
KKT301152	XTS 4100-2	6410014506018	1000	Black	4/240
KKT301158	XTS 4100-3	6410014507060	1000	White	4/240
KKT301171	XTS 4200-1	6410014500887	2000	Grey	4/240
KKT301179	XTS 4200-2	6410014506025	2000	Black	4/240
KKT301185	XTS 4200-3	6410014507077	2000	White	4/240
KKT301111	XTS 4300-1	6410014500856	3000	Grey	4/240
KKT301119	XTS 4300-2	6410014506032	3000	Black	4/240
KKT301115	XTS 4300-3	6410014507084	3000	White	4/240
KKT301124	XTS 4400-1	6410014500863	4000	Grey	4/240
KKT301131	XTS 4400-2	6410014506049	4000	Black	4/240
KKT301136	XTS 4400-3	6410014507091	4000	White	4/240

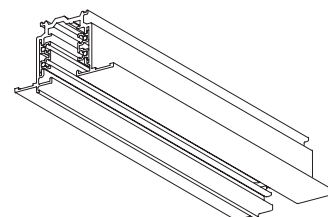
XTS 4100-4400
Surface



Recessed Tracks:

KKT301194	XTSF 4100-1	6410014500870	1000	Grey	6/180
KKT3011100	XTSF 4100-2	6410014506513	1000	Black	6/180
KKT3011105	XTSF 4100-3	6410014507565	1000	White	6/180
KKT3011111	XTSF 4200-1	6410014500597	2000	Grey	6/180
KKT3011118	XTSF 4200-2	6410014506520	2000	Black	6/180
KKT3011123	XTSF 4200-3	6410014507572	2000	White	6/180
KKT3011130	XTSF 4300-1	6410014500894	3000	Grey	6/180
KKT3011137	XTSF 4300-2	6410014506537	3000	Black	6/180
KKT3011142	XTSF 4300-3	6410014507589	3000	White	6/180

XTSF 4100-4300
Recessed

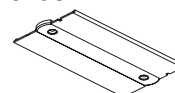


Recessed Track Accessories:

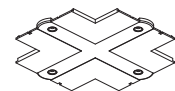
KKT3011101	XTSF 10-1	6410014500412	Cover plate: XTS11-14	Grey	1/100
KKT3012180	XTSF 10-2	6410014506612	Cover plate: XTS11-14	Black	1/100
KKT3012183	XTSF 10-3	6410014507619	Cover plate: XTS11-14	White	1/100
KKT3011124	XTSF 30-1	6410014500429	Cover plate: XTS34-40	Grey	1/100
KKT3012186	XTSF 30-2	6410014506629	Cover plate: XTS34-40	Black	1/100
KKT3012189	XTSF 30-3	6410014507626	Cover plate: XTS34-40	White	1/100

Cover plates

XTSF 10



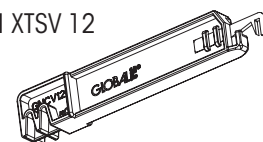
XTSF 30



Bending tool for track power wires:

KKT30155	XTSV12	6410014500993		Blue	1/100
----------	--------	---------------	--	------	-------

Tool XTSV 12

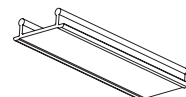


Cover strip for track opening:

KKT30152	XTSP11-2	6410014530990	Length 3000mm	Black	10/100
KKT30151	XTSP11-3	6410014530983	Length 3000mm	White	10/100

Cover strip

XTSP 11



- *Markets Strongest Power Carrying Track System - High Load Capacity*

GLOBAL TRAC PRO ACCESSORIES

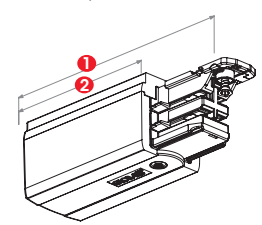
All materials used are halogen free and VO-self-extinguishing.
 Available colors: -1 grey (RAL 7040), -2 black (RAL 9005), -3 white (RAL 9016).

End Feeds:

Purchase Code	Type	EAN code	Polarity Ridge	Colour	PCS/ Package
KKT30122	XTS11-1	6410014507152		Grey	1/100
KKT30123	XTS11-2	6410014506117		Black	1/100
KKT30129	XTS11-3	6410014507114		White	1/100
KKT301218	XTS12-1	6410014507169		Grey	1/100
KKT301219	XTS12-2	6410014506124		Black	1/100
KKT301224	XTS12-3	6410014507121		White	1/100

End feed XTS 11, 12

1. 105 mm, 2. 66 mm

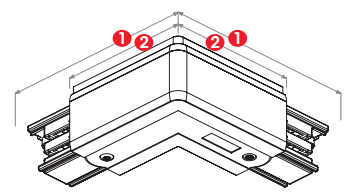


Connectors with Power Supply Option:

KKT301283	XTS34-1	6410014507251		Grey	1/25
KKT301284	XTS34-2	6410014506346		Black	1/25
KKT301289	XTS34-3	6410014507343		White	1/25
KKT301296	XTS35-1	6410014507268		Grey	1/25
KKT301297	XTS35-2	6410014506353		Black	1/25
KKT3012102	XTS35-3	6410014507350		White	1/25

L-feed XTS 34, 35

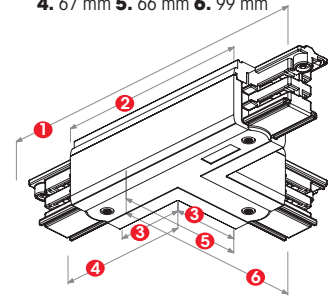
1. 99 mm, 2. 66 mm



KKT3012109	XTS36-1	6410014507275		Grey	1/25
KKT3012110	XTS36-2	6410014506360		Black	1/25
KKT3012115	XTS36-3	6410014507367		White	1/25
KKT3012122	XTS37-1	6410014507282		Grey	1/25
KKT3012123	XTS37-2	6410014506377		Black	1/25
KKT3012127	XTS37-3	6410014507374		White	1/25
KKT3012144	XTS39-1	6410014507305		Grey	1/25
KKT3012145	XTS39-2	6410014506391		Black	1/25
KKT3012149	XTS39-3	6410014507398		White	1/25
KKT3012156	XTS40-1	6410014507312		Grey	1/25
KKT3012157	XTS40-2	6410014506407		Black	1/25
KKT3012161	XTS40-3	6410014507404		White	1/25

T-feed XTS 36, 37, 39, 40

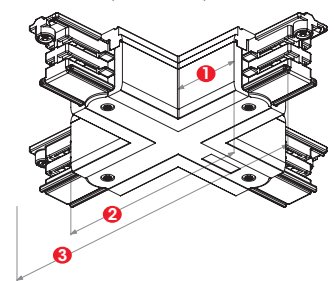
1. 166 mm, 2. 100 mm 3. 34 mm
 4. 67 mm 5. 66 mm 6. 99 mm



KKT3012131	XTS38-1	6410014507299		Grey	1/25
KKT3012132	XTS38-2	6410014506384		Black	1/25
KKT3012136	XTS38-3	6410014507381		White	1/25

X-feed XTS 38

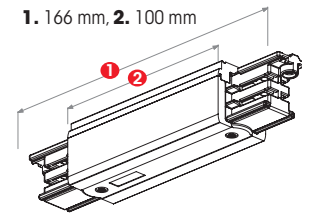
1. 34 mm, 2. 100 mm, 3. 166 mm



KKT301232	XTS14-1	6410014507176	Grey	1/50
KKT301233	XTS14-2	6410014506148	Black	1/50
KKT301238	XTS14-3	6410014507145	White	1/50

Middle feed XTS 14

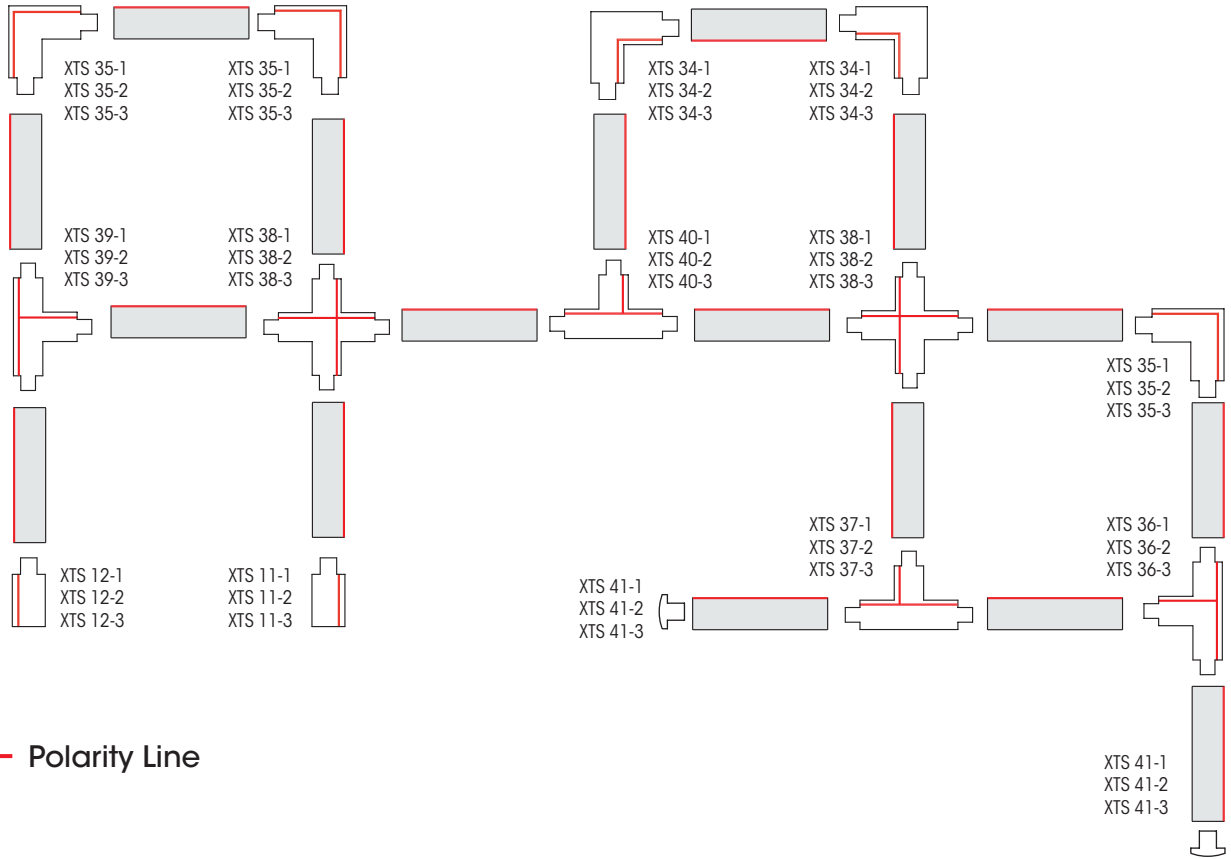
1. 166 mm, 2. 100 mm



● *Reliable Connectors with Minimal Voltage Drop*

POLARITY IN TRAC PRO

Use of L-, T- and X- Feed. Red line indicates polarity ridge



— Polarity Line

Connectors without option for power supply:

Purchase Code	Type	EAN code	Colour	PCS/ Package
KKT301245	XTS21-1	6410014507183	Grey	1/100
KKT301246	XTS21-2	6410014506216	Black	1/100
KKT301253	XTS21-3	6410014507213	White	1/100

KKT301260	XTS23-1	6410014507206	Grey	1/25
KKT301261	XTS23-2	6410014506230	Black	1/25
KKT301265	XTS23-3	6410014507237	White	1/25

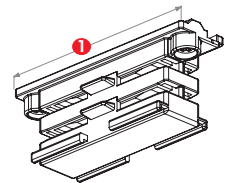
KKT301271	XTS24-1	6410014507190	Grey	1/25
KKT301272	XTS24-2	6410014506247	Black	1/25
KKT301276	XTS24-3	6410014507244	White	1/25

End Cap:

KKT3012165	XTS41-1	6410014507329	Grey	1/100
KKT3012166	XTS41-2	6410014506414	Black	1/100
KKT3012172	XTS41-3	6410014507411	White	1/100

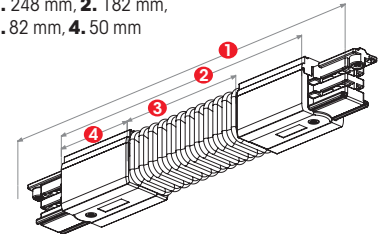
Straight connector

XTS 21
1. 68 mm



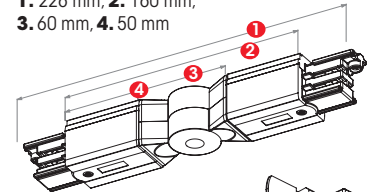
Flexible corner connector XTS 23

1. 248 mm, 2. 182 mm,
3. 82 mm, 4. 50 mm

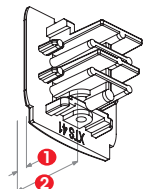


Adjustable corner connector XTS 24

1. 226 mm, 2. 160 mm,
3. 60 mm, 4. 50 mm



End cap XTS 41
1. 3 mm, 2. 21 mm



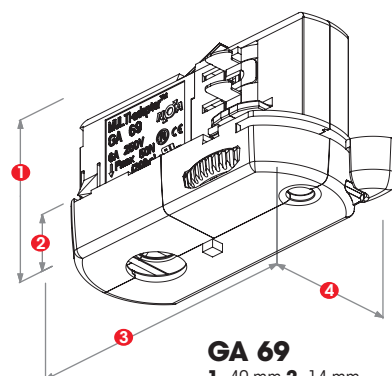
3-CIRCUIT ADAPTERS

Adapters 3-Circuit Pro:

Purchase Code	Type	EAN code	Description	Colour	PCS /Package
KKT30131	GA69-1	6410014530747	6A 50N Slot connection	Grey	100
KKT30132	GA69-2	6410014520694	6A 50N Slot connection	Black	100
KKT30133	GA69-3	6410014530693	6A 50N Slot connection	White	100

GA 69 Wiring Options

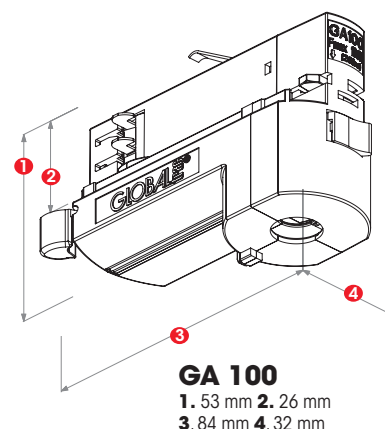
- To be used with stranded 0.5 ... 1.0mm² wire
- Slot Connection. The conductors are pressed into the connections by the connector lid or by the cable mounting tool. GA 69CT.
- Optional cable grip CG 69.



KKT301393	GA100-1	6410014530006	10A 100N Slot connection	Grey	1/100
KKT301394	GA100-2	6410014531003	10A 100N Slot connection	Black	1/100
KKT301395	GA100-3	6410014532000	10A 100N Slot connection	White	1/100
KKT3013104	GA100L-1	6410014501242	10A 100N Slot connection	Grey	100
KKT3013105	GA100L-2	6410014501259	10A 100N Slot connection	Black	100
KKT3013106	GA100L-3	6410014501266	10A 100N Slot connection	White	100

GA 100 Wiring Options

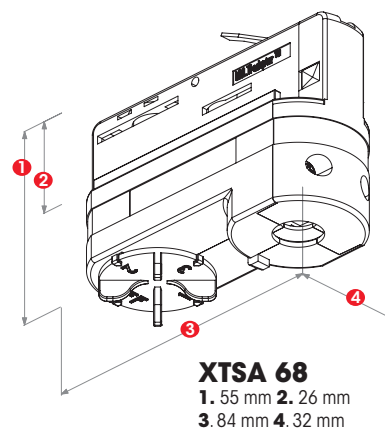
- To be used with stranded 0.5 ... 1.0mm² wire
- Slot Connection. The conductors are pressed into the connectors by the connector lid or by the cable mounting tool. GB 66CT.
- Optional cable grip CG 100.



KKT301351	XTSA68-1	6410014530730	10A 100N Screw connection	Grey	1/100
KKT301352	XTSA68-2	6410014520687	10A 100N Screw connection	Black	1/100
KKT301357	XTSA68-3	6410014530686	10A 100N Screw connection	White	1/100
KKT301362	XTSA68L-1	6410014501273	10A 100N Screw connection	Grey	100
KKT301363	XTSA68L-2	6410014501280	10A 100N Screw connection	Black	100
KKT301365	XTSA68L-3	6410014501297	10A 100N Screw connection	White	100

XTSA 68 Wiring Options

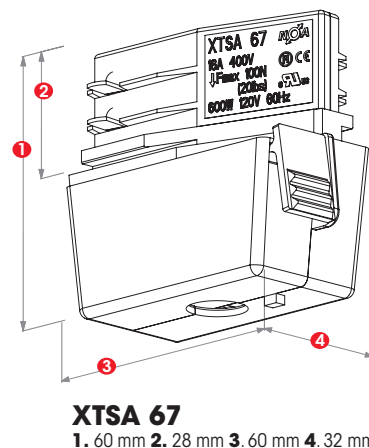
- To be used with stranded 0.5 ... 1.5mm² wire
- Optional cable grip CG 75



KKT3013461	XTSA67-1	6410014500467	16A 100N Screw connection	Grey	1/100
KKT301346	XTSA67-2	6410014520670	16A 100N Screw connection	Black	1/100
KKT301348	XTSA67-3	6410014530679	16A 100N Screw connection	White	1/100
KKT3013460	XTSA67L-2	6410014501334	16A 100N Screw connection	Black	100
KKT301349	XTSA67L-3	6410014501341	16A 100N Screw connection	White	100
KKT3013120	XTSA67S-2	6410014500443	Schuko adapter	Black	1/50
KKT3013100	XTSA67S-3	6410014531676	Schuko adapter	White	1/50

XTSA 67 Wiring Options

- 1-Circuit: Connecting max. 1.5 ... 2.5mm² wire
- 3-Phase: Connecting max. 5x 1.5mm² wire

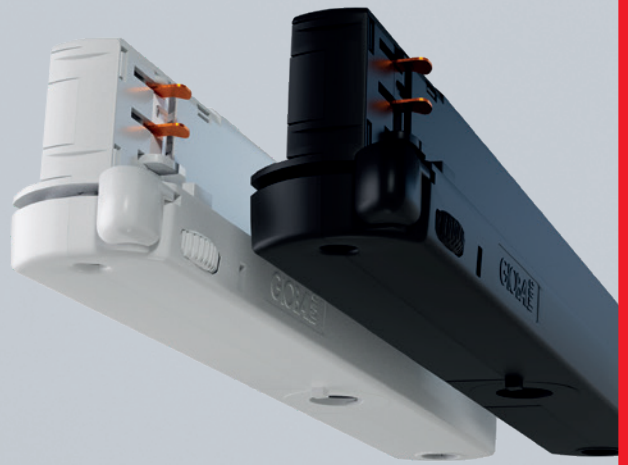


GLOBAL TRAIL PRO

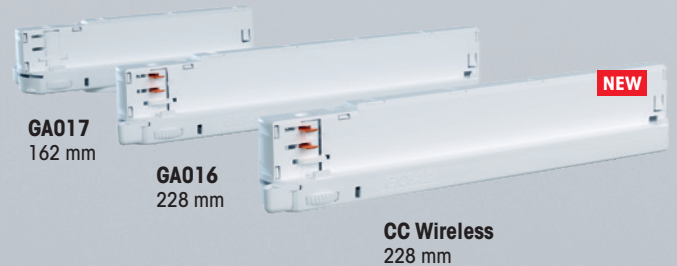
ADAPTER DRIVER

- Thermally strong
- Strong surge protection
- Energy efficiency
- The easy way to fix your lighting architecture in your store

*More Light – Less Electricity
Environment in mind*



• Quality in focus



BASIC RANGE

GA -016 -017 CASA

Up to **125lm/W** at CRI 90+



15°, 21°, 3d 25°, 32°, 46°
net weight 460 g

GA -016 -017 STANDARD

Up to **125lm/W** at CRI 90+



15°, 3d 24°, 3d 36°, 3d 55°
net weight 620 g

GA-017 CAFETERIA

Up to **125lm/W** at CRI 90+



15°, 3d 24°, 3d 36°, 3d 55°
net weight 690 g

HIGHLIGHT RANGE

GA-017 BING

Up to **125lm/W** at CRI 90+



15°, 21°, 3d 25°, 32°, 46°
net weight 460 g

GA-017 BINGO

Up to **125lm/W** at CRI 90+



15°, 3d 24°, 3d 36°, 3d 55°
net weight 620 g

GA-017 DINGO

Up to **120lm/W** at CRI 90+



15°, 3d 18°, 3d 28°, 35°, 3d 50°
net weight 690 g