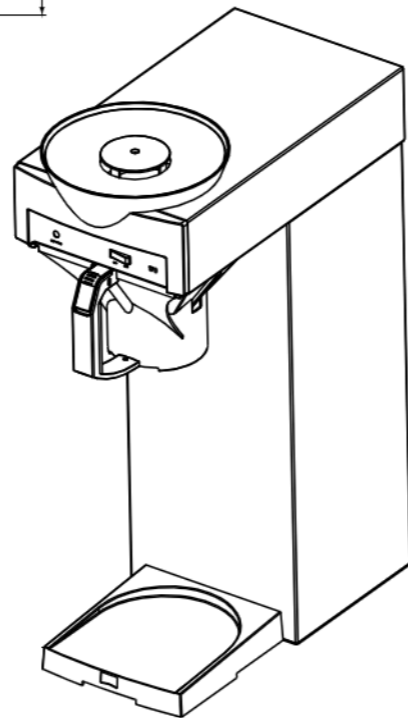
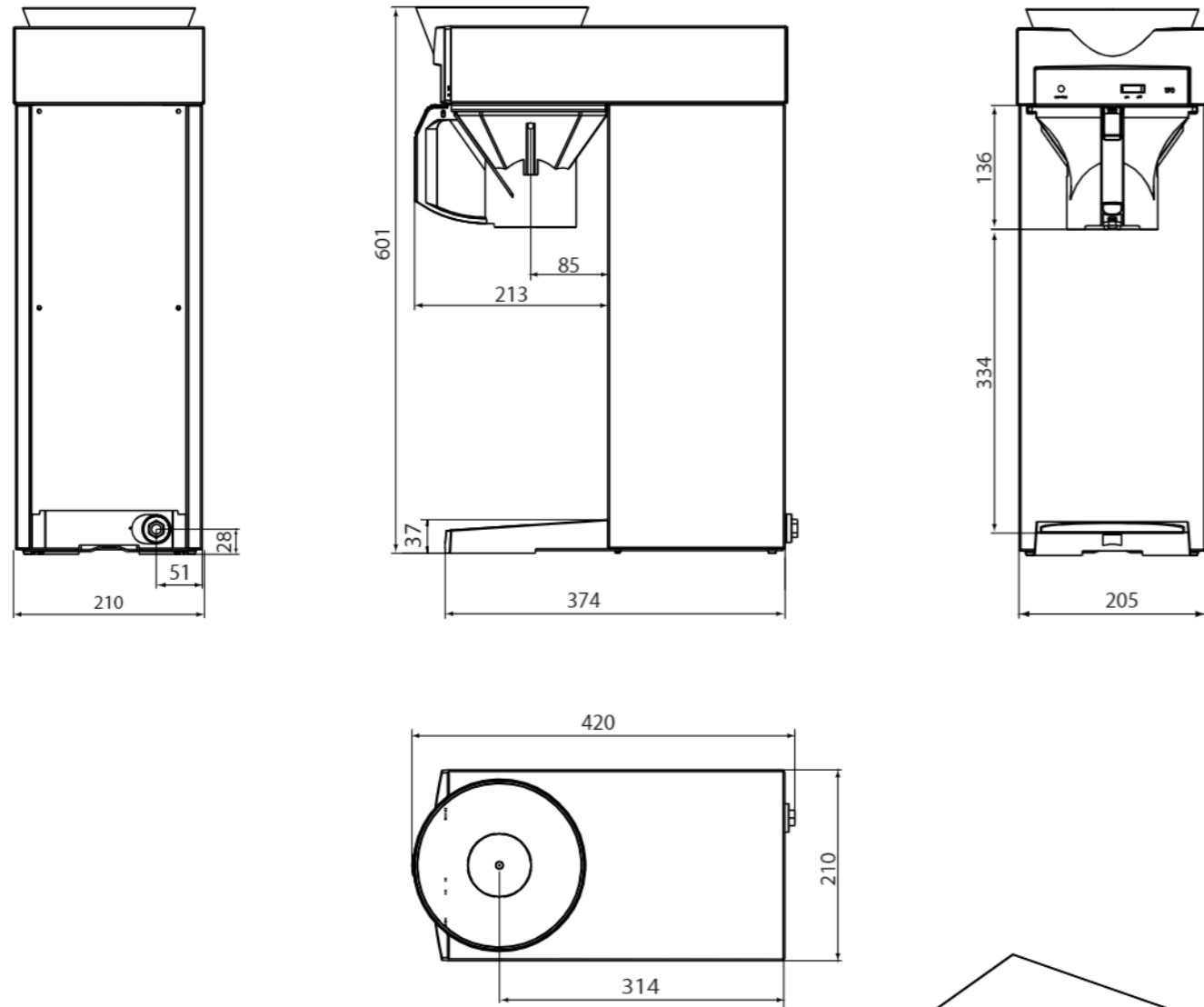


Melitta® 170 MT

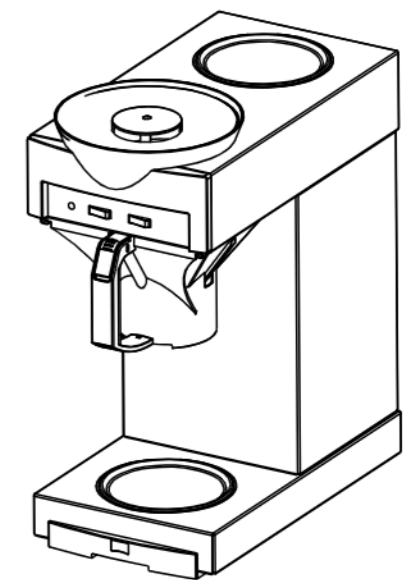
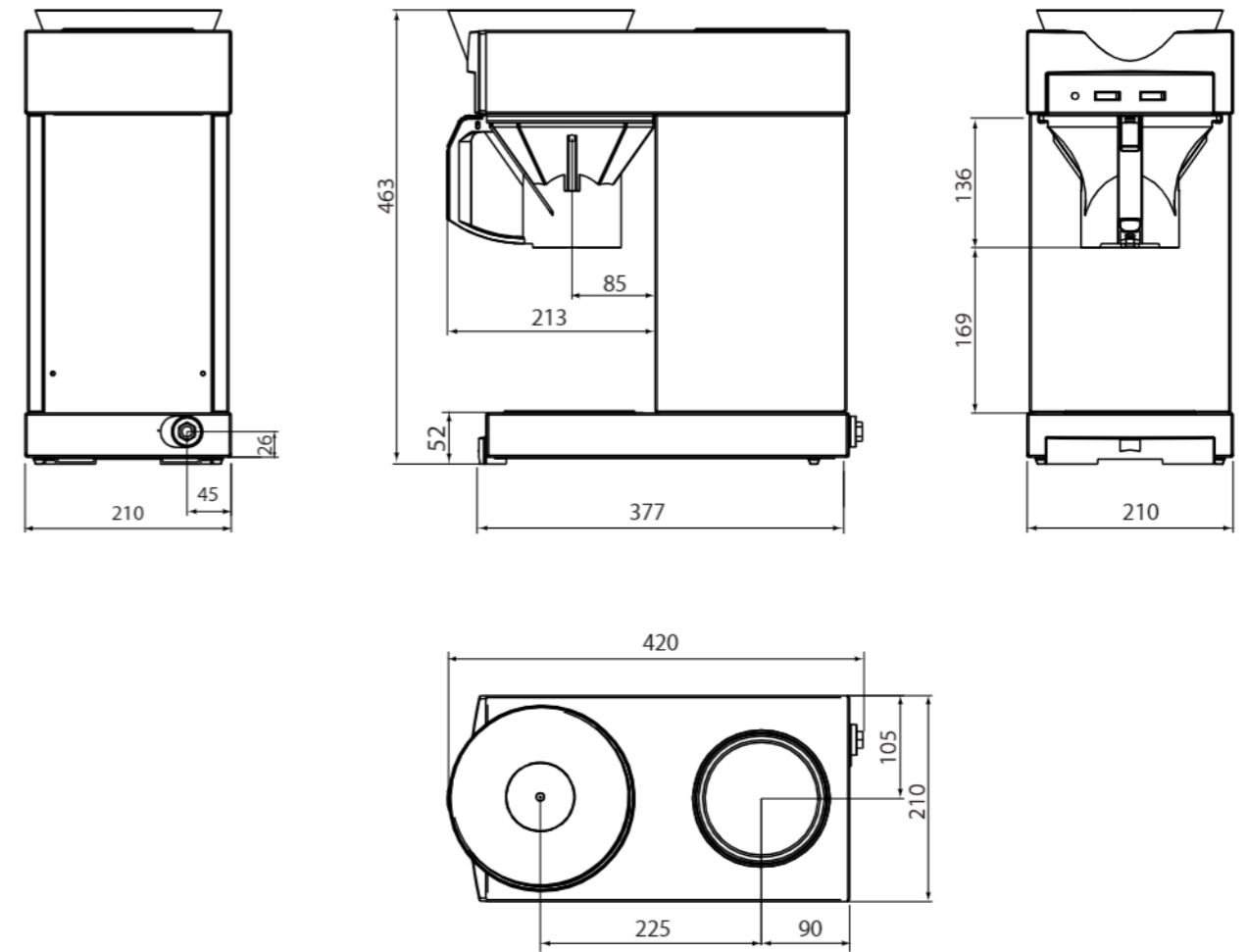


Machine data:

Melitta® M 170 MT
 Order-No.: 20347
 Approx. cups of coffee per hour: 125
 Approx. cups of coffee per full brew: 14 / 6.5
 Power consumption in kW: 1.88
 Electric connection Volt / Ampère: 230 / 16
 Dimensions (WxDxH): 210 x 420 x 601 mm

Please note: All dimensions are approximate!

Melitta® 170 M



Machine data:

Melitta® M 170 M
 Order-No.: 20348
 Approx. cups of coffee per hour: 125
 Approx. cups of coffee per full brew: 14 / 6.5
 Power consumption in kW: 2.025
 Electric connection Volt / Ampère: 230 / 16
 Dimensions (WxDxH): 210 x 420 x 463 mm

Date: 06/2014
 Drawing no.:
 Page: 1 of 1
 Subject to alterations.
 Owned by Melitta.
 Duplication not allowed.



Melitta® 170 M
Melitta® 170 MT
 Dimension and data sheet