

## Standard Preparation Cupboard with 3 Drawers - no top, 500mm

ITEM # \_\_\_\_\_

MODEL # \_\_\_\_\_

NAME # \_\_\_\_\_

SIS # \_\_\_\_\_

AIA # \_\_\_\_\_



133178 (RAU5003DW)

Cupboard with 3 drawers - no  
top, 500mm

### Short Form Specification

Item No. \_\_\_\_\_

Made entirely from stainless steel. Inner welded frame in stainless steel.

No top unit for integrated solutions. Base panel in 304 AISI stainless steel and height-adjustable intermediate shelf. 3 GN 1/1 Drawers made in 304 AISI stainless steel with rounded corners. Mounted on feet, adjustable in height.

### Main Features

- Ideal for central positioning in the kitchen, either as island installation or back to back.
- Handles in stainless steel for better hygiene and reliability.
- Sturdiness, stability and reliability of table accurately tested.

### Construction

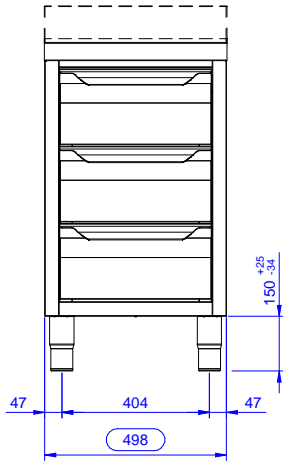
- Reinforced side and base panel in 304 AISI stainless steel.
- 304 AISI stainless steel feet, 200 mm high and 54 mm in diameter, adjustable by -50/+30 mm.
- Inner welded frame in stainless steel to guarantee superior strength and stability.
- 100 mm upstand with 10 mm radiused corner and 13 mm deep, designed to be used against a wall.
- Without top for integrated solutions.

### Optional Accessories

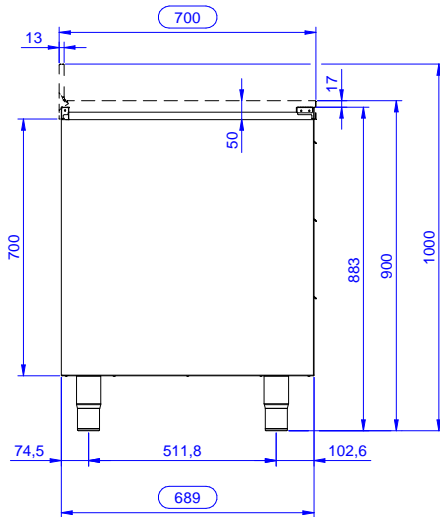
- Stainless steel front kicking strip PNC 133205
- Side kicking strip, 700 mm PNC 133206

APPROVAL: \_\_\_\_\_

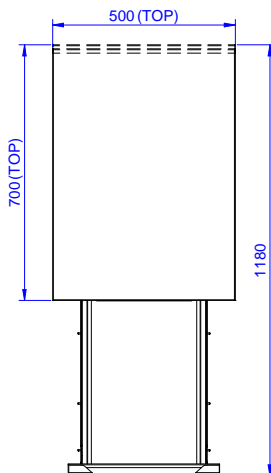
**Front**



**Side**



**Top**



**Key Information:**

<b>Cabinet width:</b>		
133178 (RAU5003DW)	0 mm	
<b>Cabinet depth:</b>	0 mm	
<b>Cabinet height:</b>	0 mm	
<b>External dimensions, Width:</b>	500 mm	
<b>External dimensions, Depth:</b>	700 mm	
<b>External dimensions, Height:</b>	883 mm	
<b>Number and type of doors:</b>	Sliding	
<b>Worktop thickness:</b>	0 mm	
<b>Net weight:</b>	39 kg	