

Standard Preparation Cupboard with 2 Sliding Doors - no top, 1600mm

ITEM # _____

MODEL # _____

NAME # _____

SIS # _____

AIA # _____



133182 (RAU1600SD)

Cupboard with 2 sliding doors
- no top, 1600mm

Short Form Specification

Item No. _____

Made entirely from stainless steel. Inner welded frame in stainless steel. No top unit for integrated solutions. Sound-deadened sliding doors. Base panel in 304 AISI stainless steel and heightadjustable intermediate shelf. Mounted on feet, adjustable in height

Main Features

- Ideal for central positioning in the kitchen, either as island installation or back to back.
- Handles in stainless steel for better hygiene and reliability.
- Sturdiness, stability and reliability of table accurately tested.

Construction

- Reinforced side and base panel in 304 AISI stainless steel.
- 304 AISI stainless steel feet, 200 mm high and 54 mm in diameter, adjustable by -50/+30 mm.
- Inner welded frame in stainless steel to guarantee superior strength and stability.
- Equipped with intermediate shelf which can be positioned at three different heights.
- Sturdy sound-deadened sliding doors on tracks located flush to the front of the frame.
- 100 mm upstand with 10 mm radiused corner and 13 mm deep, designed to be used against a wall.
- Without top for integrated solutions.

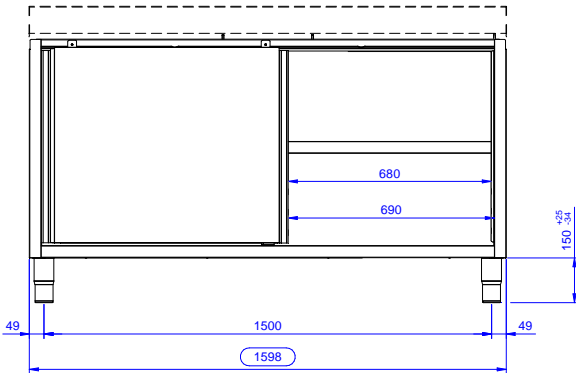
Optional Accessories

- Overshelf, neutral, one tier, 1600 mm PNC 132967
- Overshelf, with led light and ceramic light, one tier, 1600mm PNC 132991
- Stainless steel front kicking strip PNC 133205
- Side kicking strip, 700 mm PNC 133206

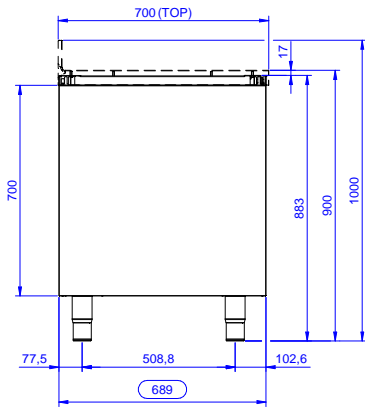
APPROVAL: _____

Standard Preparation Cupboard with 2 Sliding Doors - no top, 1600mm

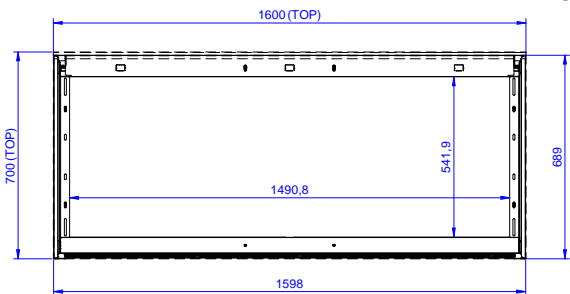
Front



Side



Top



Key Information:

Cabinet width:		
133182 (RAU1600SD)	1545 mm	
Cabinet depth:	645 mm	
Cabinet height:	610 mm	
External dimensions, Width:	1589 mm	
External dimensions, Depth:	700 mm	
External dimensions, Height:	883 mm	
Number and type of doors:	2 Sliding	
Worktop thickness:	0 mm	
Net weight:	60 kg	