

**Modular Cooking Range Line  
EVO700 2 Drawer Refrigerated  
Base (R290)**

ITEM # \_\_\_\_\_

MODEL # \_\_\_\_\_

NAME # \_\_\_\_\_

SIS # \_\_\_\_\_

AIA # \_\_\_\_\_



372290 (Z7TTAECOMIN)

Refrigerated base with 2  
GN1/1 drawers, +10-2°C -  
R290

**Short Form Specification**

**Item No.** \_\_\_\_\_

Built-in refrigerator compressor unit. Operating temperature range from -2° C to 10°C. To be installed below EVO700 top units. To be delivered with 50 mm height adjustable feet. Exterior panels in stainless steel with Scotch Brite finish. Suitable to operate with ambient temperature up to +43°C. Constructed to allow flush-fitting (no gap) junction between units.

**Main Features**

- Defrosting and automatic evaporation of condense drain: the condense is automatically evaporated thanks to the electric resistance in the condense drain container.
- GN compliant.
- Designed for modular installation into the cooking block.
- Unit can be easily installed below other 700 line top models.
- Adjustable temperature range from -2 °C to +10 °C to suit meat, fish and dairy storage requirements.
- Anti-tilt runners accept GN 1/1 containers.
- Forced air circulation for rapid cooling and an even temperature distribution.
- Right angled side edges eliminate gaps and possible dirt traps between units.

**Construction**

- Exterior panels in Stainless steel with Scotch Brite finish to meet the highest hygiene standards.
- Built-in compressor to suit operating conditions.
- Access to all components from the front.
- Unit delivered with 150 mm height adjustable feet in Stainless steel. Feet can be extended up to 250 mm.

**Sustainability**

- CFC and HCFC free (highly ecological refrigerant type: R290).

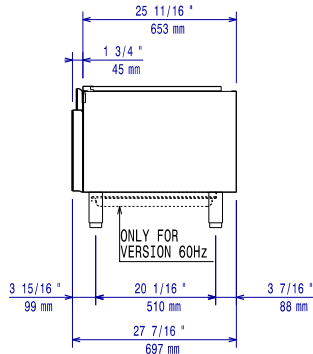
**Optional Accessories**

- Flanged feet kit PNC 206136
- Frontal kicking strip for concrete installation, 1200 mm PNC 206151
- Frontal kicking strip, 1200 mm PNC 206178
- 4 feet for concrete installation (not for 900 line freestanding grill) PNC 206210
- 2 panels for service duct (single installation) PNC 206248
- Pair of side kicking strips PNC 206249
- Pair of side kicking strips (concrete installation) PNC 206265
- 2 side covering panels, height 700 mm, depth 700 mm PNC 206319
- 2 drawers for refrigerated base PNC 206348
- Base support for feet or wheels - 1200mm (EVO700/EVO900) PNC 206368
- Base support for feet or wheels - 1600mm (EVO700/900) PNC 206369
- Rear paneling - 1200mm (EVO700/900) PNC 206376
- Kit 6 wheels - 3 swivelling with brake PNC 206432

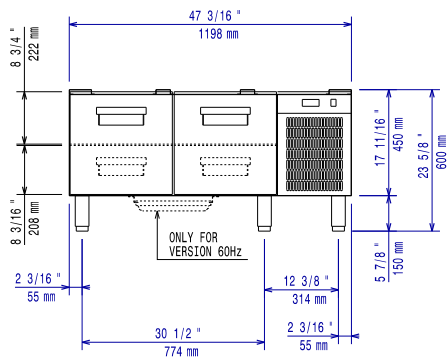
APPROVAL: \_\_\_\_\_

# Modular Cooking Range Line EVO700 2 Drawer Refrigerated Base (R290)

## Front

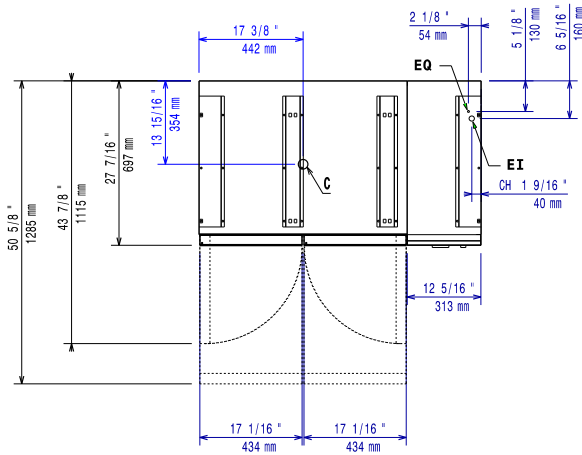


## Side



**D** = Drain  
**EI** = Electrical inlet (power)

## Top



## Electric

Supply voltage:	372290 (Z7TTAECOMIN)	220-230 V/1N ph/50 Hz
Electrical power max.:		0.4 kW
Total Watts:		0.4 kW

## Key Information:

Gross capacity:	120 lt
External dimensions, Width:	1200 mm
External dimensions, Depth:	700 mm
External dimensions, Height:	600 mm
Net weight:	95 kg
Shipping weight:	104 kg
Shipping height:	820 mm
Shipping width:	1300 mm
Shipping depth:	800 mm
Shipping volume:	0.85 m <sup>3</sup>

## Sustainability

Refrigerant type:	R290
Refrigerant weight:	85 g

Modular Cooking Range Line  
EVO700 2 Drawer Refrigerated Base (R290)

The company reserves the right to make modifications to the products without prior notice. All information correct at time of printing.