

Eco Preparation 1000 mm Work Table - disassembled

ITEM # _____

MODEL # _____

NAME # _____

SIS # _____

AIA # _____

**132839 (WTD1007N)**Work table disassembled,
1000mm

Short Form Specification

Item No. _____

Worktop in 304 AISI stainless steel with upturned edges and under panel made of sound deadening material. Square section legs 40x40mm in 304 AISI stainless steel with adjustable feet. Delivered disassembled.

Main Features

- The table can be ordered with the drawer of 400 mm or 600 mm (optional accessory): thanks to the design of the drawer, additional drawers can be added to the first single drawer to create chest of 2, 3 or 4 drawers based on customer's needs.
- Sturdiness, stability and reliability of table accurately tested.

Construction

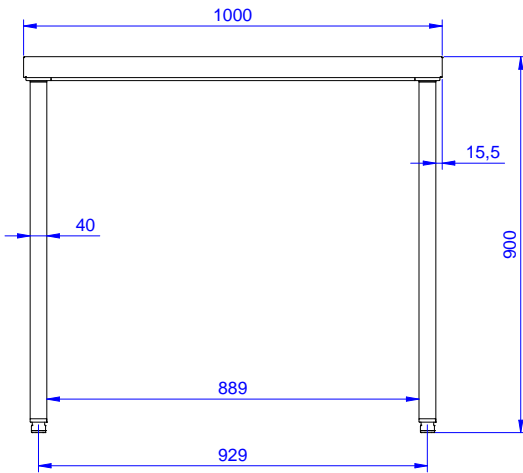
- Delivered in knock-down package.
- Constructed entirely in stainless steel to offer maximum durability.
- Wide range of taps are available to suit every need.

Optional Accessories

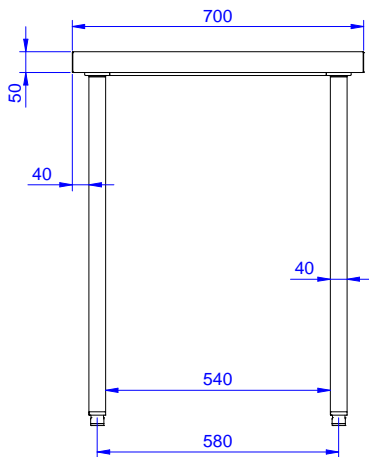
- Overshelf, neutral, one tier, 1000 mm PNC 132964
- Overshelf, with led light and ceramic light, one tier, 1000mm PNC 132988
- Lower shelf for 1000 mm tables and sinks and for 1600 mm undercounter dishwasher sinks PNC 855144
- Set of 4 wheels (2 with brake) d. 100mm for tables and sinks (total height on wheels= 993 mm) PNC 855150
- 3-sided underframe for 1000mm tables PNC 855151

APPROVAL: _____

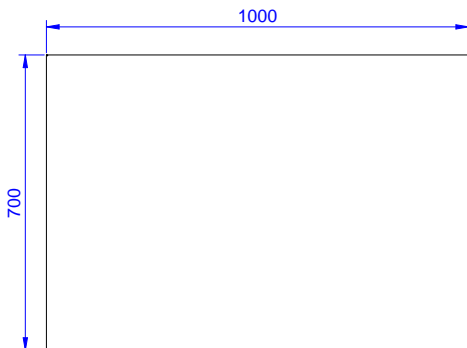
Front



Side



Top



Key Information:

**External dimensions,
Width:**

132839 (WTD1007N) 1000 mm

**External dimensions,
Depth:**

700 mm

**External dimensions,
Height:**

900 mm

Worktop thickness:

50 mm

Net weight:

37 kg