

Standard Preparation 1200 mm Vegetables Processing/ Washing Table with Upstand

ITEM # _____

MODEL # _____

NAME # _____

SIS # _____

AIA # _____

**132765 (TLV1210PN)**

Vegetables processing/
washing table with polythene
cutting board, 1 bowl,
scraping hole and upstand,
1200mm

Short Form Specification

Item No. _____

50mm high worktop in 304 AISI stainless steel, 1 bowl (684x303x180h mm). Integral radiused rear upstand, h=100mm. Square section legs 40x40mm on 1" height-adjustable feet in 304 AISI stainless steel. N.1 Polythene cutting board and scraping hole on front.

Main Features

- Sturdiness, stability and reliability of table accurately tested.

Construction

- Table can be equipped with a mobile bin with lid for waste disposal (optional accessory).
- 50 mm worktop in 304 AISI stainless steel, 10/10 in thickness with upturned edges and reinforced waterproof underpanel, incorporates a layer of sound deadening materials.
- Square section legs and 40 mm height-adjustable feet in 304 AISI stainless steel.
- Unit features a 20 mm deep recessed surface, a polythene cutting board, perforated and sectionated removable tops, an easily removable GN liquid container and a knife holder. Knife sanitizer can be supplied as optional.
- Table can be equipped with a set of castors as an alternative to the feet.
- 100 mm upstand with 10 mm radiused corner and 13 mm deep, designed to be used against a wall.
- Upstand back completely covered with Stainless Steel welded profile.
- Unit features a 20 mm deep recessed surface, a polythene cutting board and a scraping hole on the front and a bowl.

Optional Accessories

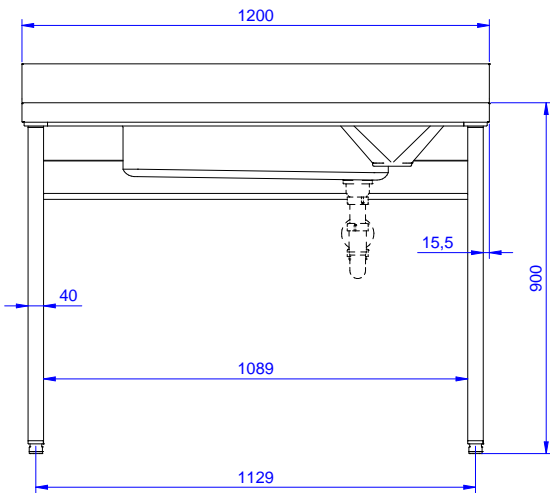
- Lower shelf for 1200mm tables PNC 855145
and sinks and for 1800 mm
undercounter dishwasher sinks
- Set of 4 wheels (2 with brake) PNC 855150
d. 100mm for tables and sinks
(total height on wheels= 993
mm)
- 3-sided underframe for PNC 855152
1200mm tables
- Single plastic drain syphon 1,5" PNC 855306
- Elbow operated mixer tap with PNC 855322
spout, 3/4" single hole
- Elbow operated mixer tap short PNC 855323
spout, 3/4" single hole
- Foot operated Mixer tap with PNC 855328
spout & with hot&cold pedals,
3/4"

APPROVAL: _____

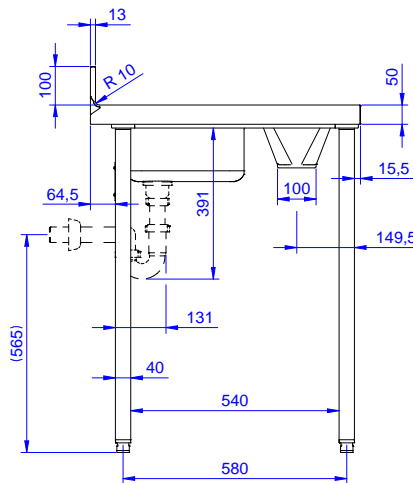
Key Information:

| | |
|--|---------|
| External dimensions, Width: | |
| 132765 (TLV1210PN) | 1200 mm |
| External dimensions, Depth: | 700 mm |
| External dimensions, Height: | 1000 mm |
| Upstand Dimensions, Height: | 100 mm |
| Upstand Dimensions, Depth: | 13 mm |
| Upstand Dimensions, Radius: | R=10 |
| Worktop thickness: | 50 mm |
| Net weight: | 40 kg |
| Number of cutting boards | 1 |
| Cutting board dimensions - width | 340 mm |
| Cutting board dimensions - depth | 640 mm |
| Cutting board dimensions - height | 25 mm |

Front



Side



D = Drain

Top

